

受 控

SPECIFICATION

1. SCOPE

This specification is applied to the piezo-element.

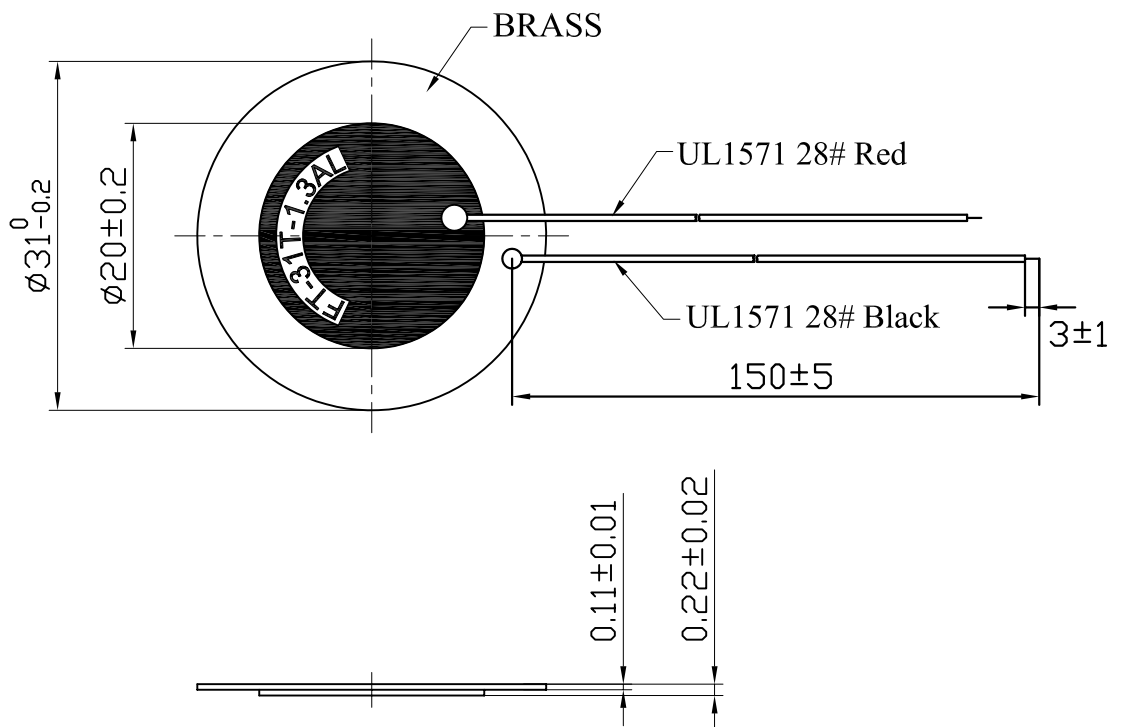
2. SPECIFICATION

(at 25°C)

- 2.1 Resonant Frequency : 1.3 ± 0.5 KHz
- 2.2 Resonant Resistace : 500 Ω max
- 2.3 Capacitance : 60000 pF ± 30% at 100Hz
- 2.4 Input Voltage : 30 Vp-p max
- 2.5 Operating Temperature : -20~+50°C
- 2.6 Storage Temperature : -20~+70°C

3. DIMENSION

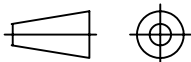
: as per figure



Notes: The piezo element is with green coating

TOLERANCES UNLESS NOTED OTHERWISE .X ± .XX ± .XXX ± 90° FORMED +2° ANGLES -1°	DRAWN	汪逸	KEPO MODEL NO.	CUSTOMER				
	DESIGN		FT-31T-1.3AL150-G-1924	QUARTZ-1				
	CHECKED			CUSTOMER NO.				
	APPROVED	徐锦生	DWG NO.		VER	1.3	SCALE	
	DATE	11.12.14	OEM1924		UNIT	mm	SHEET	
	CONTRACT NO.				KEPO CO.,LTD.		TEL:(+86)574-88370330	
AGENCY APPROVAL				FAX:(+86)574-88370329				

FIRST ANGLE PROJECTION



1

2

3

4